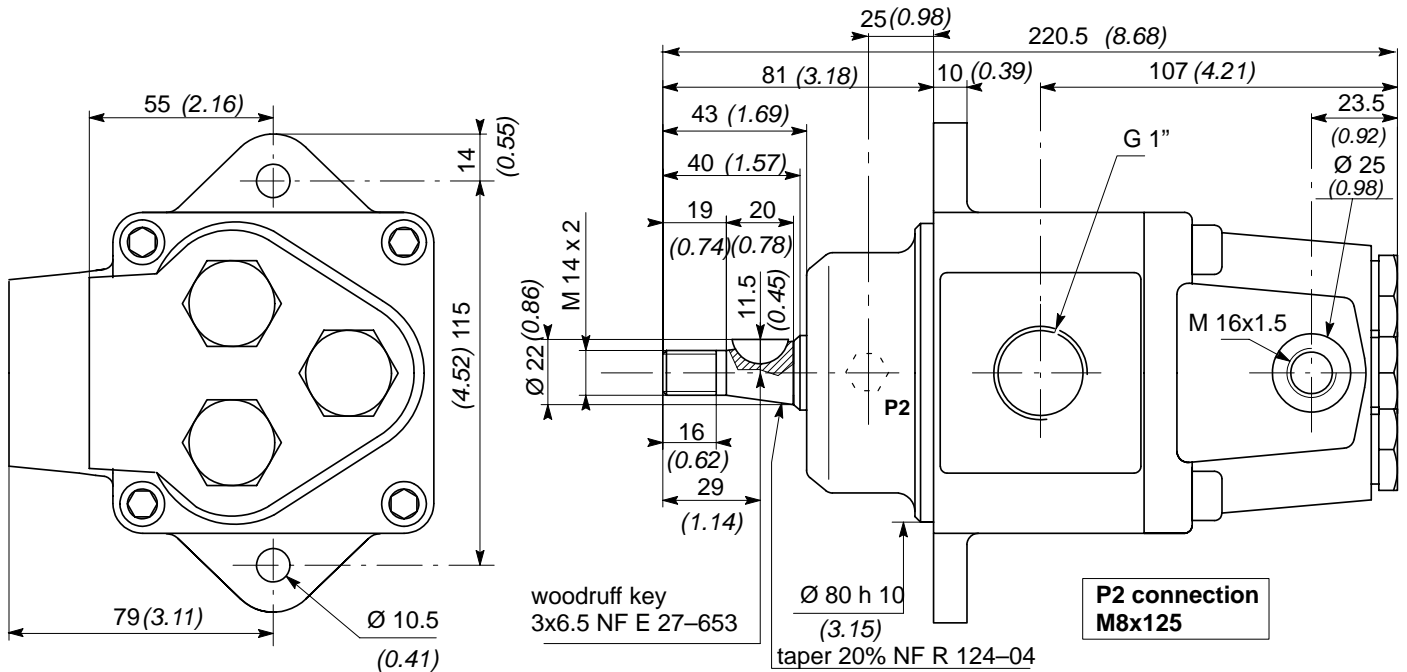


INDUSTRIAL FIXED DISPLACEMENT PUMP

X 08

8 cm³/rev (0.49 cu.in.)
400 bar (5800 PSI)
2800 rpm



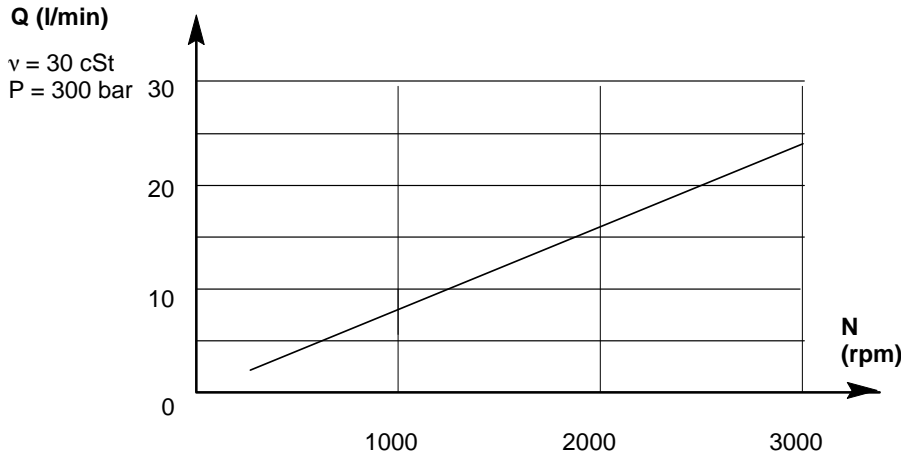
Dimensions are written in millimeters and (inches)

TECHNICAL CHARACTERISTICS

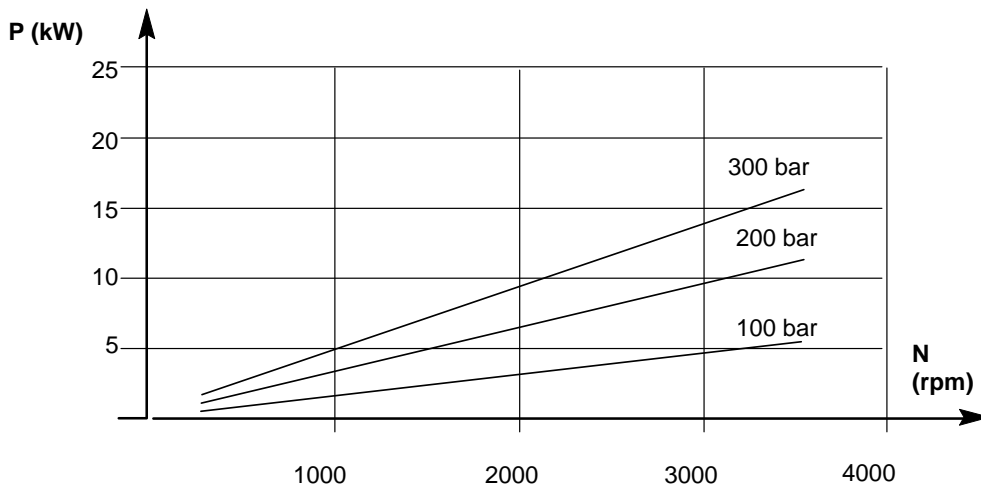
Displacement	:	8 cm ³ /rev (0.49 cu.in.)
Max. continuous pressure	:	400 bar (5800 PSI)
Max. peak pressure	:	450 bar (6520 PSI)
Self-priming speed	:	2800 rpm
Peak speed	:	3000 rpm
Max. temperature	:	100–120° C (212–248° F)
Inlet Ø	:	G 1"
Outlet Ø	:	M16x1.5
Weight	:	7.6 kg (16.76 lbs)
$\frac{N_v}{p}$ mini	:	24

PERFORMANCES

FLOW CURVE



POWER CURVE



CONDITIONS OF USE

See also sheet headed "start-up".

FLUID : The viscosity of the fluid at the extreme temperatures must be between 15 cSt (2.3°E) and 1000 cSt (130°E). Optimum flow between 15 cSt (2.3°E) and 200 cSt (26°E).

If fluid viscosity is less than 15 cSt at extreme operating temperature please consult our Technical Department.

The standard version is equipped with AA (self-priming) valves and the P2 air bleed plug (necessary for vertical submerged position).

CODING :

Clockwise rotation, SH : X 08 050590